

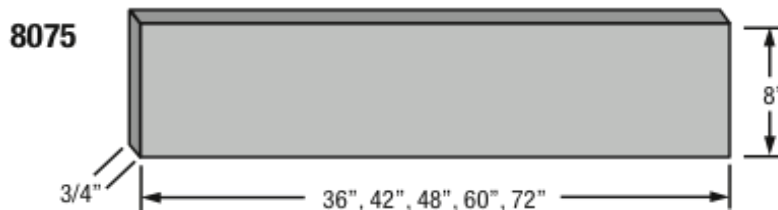
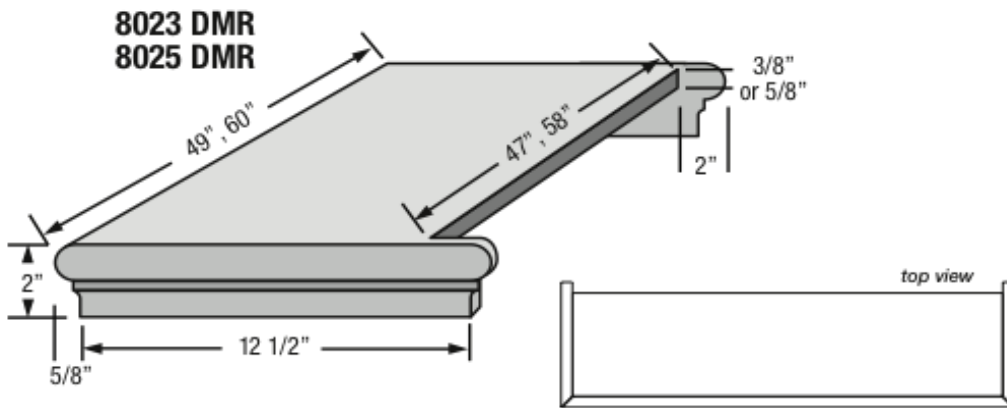
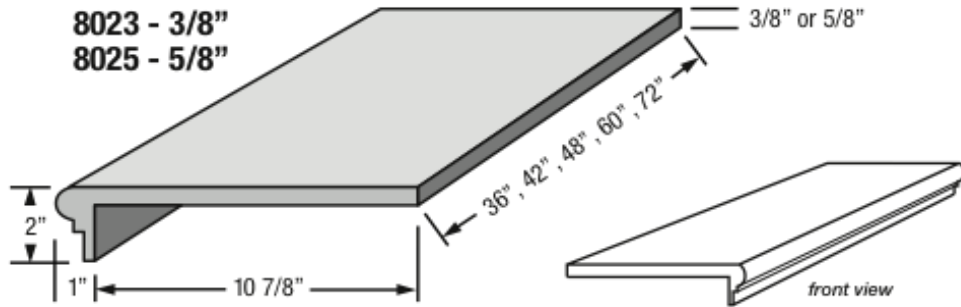


August 21, 2023  
 NU-STAIR

Corporate Office: 525 Davisville Road, P.O. Box 912, Willow Grove, PA 19090 (800) 523-3457

**NUSTAIR®**  
 COMPLETE STAIRCASE SOLUTIONS  
 by IDEAL STAIR PARTS

**NuStair Treads & Risers**



**Unfinished NuStair Treads**



**8023 NuStair 3/8 Tread - Unfinished**

Item #	Description	Red Oak	Maple	Brazilian Cherry	White Oak	American Cherry	Walnut	Hickory
8023-36	36							
8023-42	42							
8023-48	48							
8023-60	60							
8023-72	72							
8023 -DMR	double return							
8023 -60 DMR	60" double return							

**8025 NuStair 5/8 Tread - Unfinished**

Item #	Description	Red Oak	Maple	Br. Cherry	White Oak	Am. Cherry	Walnut	Hickory
8025-36	36	33.00	60.00	129.78	63.00	72.53	145.11	56.32
8025-42	42	42.00	67.50	149.10	72.00	81.64	168.23	65.30
8025-48	48	46.50	75.00	169.20	82.50	91.28	191.82	73.76
8025-60	60	79.10	139.81	221.28	143.30	116.73	242.91	94.46
8025-72	72	93.07	183.18	259.23	190.33	148.11	289.66	112.92
8025 -DMR	double return	89.31	135.00	254.91	142.50	149.44	248.79	127.89
8025 -60 DMR	60" double return	109.81	220.95	306.72	216.66	175.68	300.86	151.20

**8075 NuStair Riser - Unfinished**

Item #	Description	Red Oak	Hard Maple	Brazilian Cherry	White Oak	American Cherry	Walnut	Hickory	Primed
8075-36	3/4 x 8 x 36	21.49	51.55	74.56	42.00	36.06	77.22	28.31	15.68
8075-42	3/4 x 8 x 42	24.51	59.50	83.82	48.79	41.54	89.27	32.52	17.55
8075-48	3/4 x 8 x 48	27.80	69.37	94.39	56.98	47.11	102.15	36.79	17.93
8075-60	3/4 x 8 x 60	37.09	108.58	124.44	74.69	61.74	129.80	48.15	27.15
8075-72	3/4 x 8 x 72	44.02	139.69	150.67	92.18	77.40	161.82	56.38	30.41

**ADD A # 8581 RETURN \$20.00 EACH SIDE**

ex. 42" throat left or right miter

take Price of 48" tread add \$20.00 each side eta.. 2 weeks.

ETA 4 -5 WEEKS

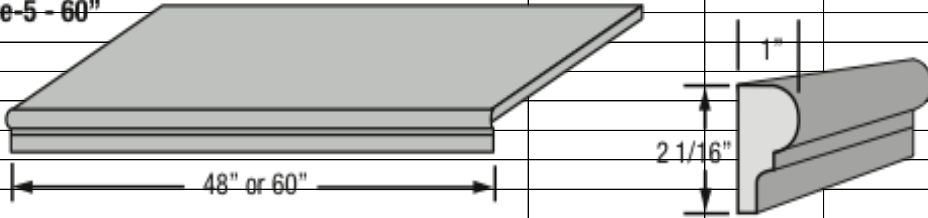
<b>NUSTAIR®</b>		<b>Prefinished NuStair Treads</b>						
COMPLETE STAIRCASE SOLUTIONS								
by IDEAL STAIR PARTS								
<b>8023 NuStair 3/8 Tread - Prefinished</b>								
Item #	Description	Red Oak	Maple	Brazilian Cherry	White Oak	American Cherry	Walnut	Hickory
8023-36	36							
8023-42	42							
8023-48	48							
8023-60	60							
8023-72	72							
8023 -DMR	double return							
8023 -60 DM	60" double return							
<b>8025 NuStair 5/8 Tread - Prefinished</b>								
Item #	Description	Red Oak	Maple	Br. Cherry	White Oak	Am. Cherry	Walnut	Hickory
8025-36	36	55.37	89.79	158.93	89.79	97.57	177.17	78.65
8025-42	42	70.56	98.19	182.51	102.78	110.36	203.87	90.44
8025-48	48	79.10	113.08	209.91	119.42	124.80	234.56	104.10
8025-60	60	120.62	198.63	269.31	199.98	156.25	296.36	133.00
8025-72	72	150.60	259.93	326.14	241.58	194.92	353.86	158.29
8025 -DMR	double return	136.05	245.88	309.92	221.07	221.56	298.42	169.52
8025 -60 DM	60" double return	170.84	293.13	370.69	265.45	224.45	362.13	202.93
<b>8075 NuStair Riser - Prefinished</b>								
Item #	Description	Red Oak	Hard Maple	Brazilian Cherry	WHITE OA	American Cherry	Walnut	Hickory
8075-36	¾ x 8 x 36	34.67	69.83	91.50	54.41	48.70	93.20	39.84
8075-42	¾ x 8 x 42	40.44	77.75	98.11	61.68	54.56	106.21	44.37
8075-48	¾ x 8 x 48	46.19	91.91	94.39	72.54	62.73	122.37	50.23
8075-60	¾ x 8 x 60	57.72	139.24	147.02	94.37	80.68	155.07	57.15
8075-72	¾ x 8 x 72	69.52	173.41	181.13	115.83	94.90	188.48	77.61
<b>\$150.00 SET UP FEE FOR SPECIAL COLORS</b>				<b>eta 8 - 12 weeks</b>				
<b>Additional \$15.00 per tread - \$10.00 per Riser</b>								
<b>add</b>	<b>8581 \$25.00 to each side</b>			<b>eta 3 - 4 weeks</b>				
ex. 42" throat left or right return								
take price of 48" tread & add \$25.00 each side eta 2-3 week								
if throat is 47" end to end measurment is 49"								
*Stocked Gunstock Natural Butterscotch								

**Specialty Treads**



Pie-4 - 48"  
Pie-5 - 60"

Pie Tread Blanks



8585

Nosing & Scotia

Landing 48 - 16 SF  
Landing 60 - 25 SF



Landing kits include 3/4" x 4' flooring and landing tread (8591)

**Pie Tread Blanks 5/8" - Unfinished**

Item #	Description	Red Oak	Maple	Brazilian Cherry	White Oak	American Cherry	Walnut	Hickory
Pie - 4	5/8 x 3 x 4	293.37	422.08	501.73	557.23	389.76	550.55	311.03
Pie - 5	5/8 x 3 x 5	342.56	102.20	607.16	689.05	462.22	673.63	363.86
8585	NOSE & SCOTIA							

**Pie Tread Blanks 5/8" - Prefinished**

Item #	Description	Red Oak	Maple	Brazilian Cherry	White Oak	American Cherry	Walnut	Hickory
Pie - 4	5/8 x 3 x 4	495.51	600.84	692.35	715.09	562.41	749.04	706.15
Pie - 5	5/8 x 3 x 5	582.63	694.56	814.75	893.36	646.51	891.96	532.33
8585	Nosing & scotia							

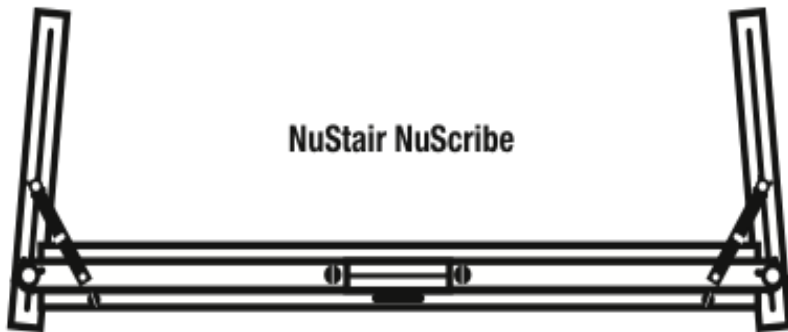
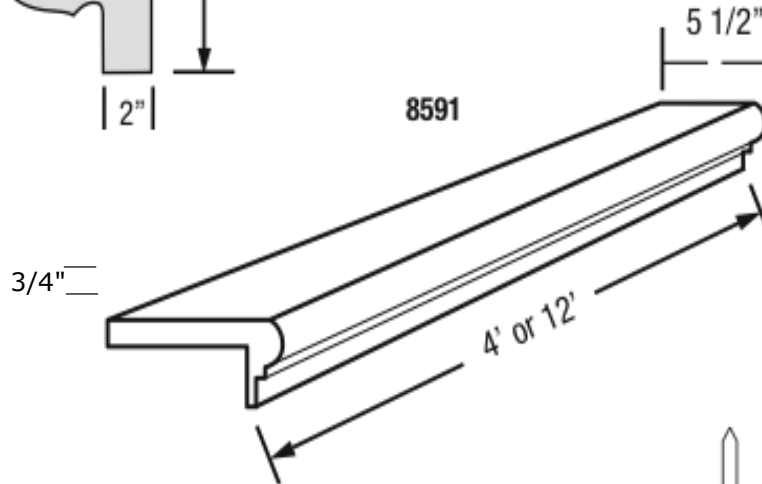
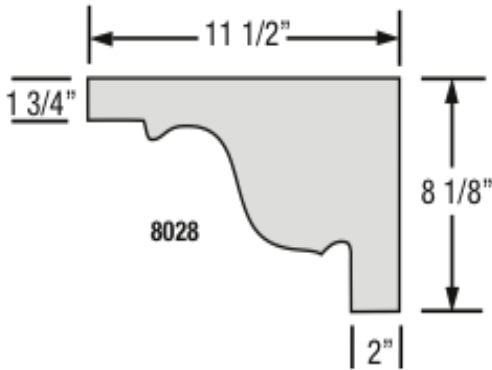
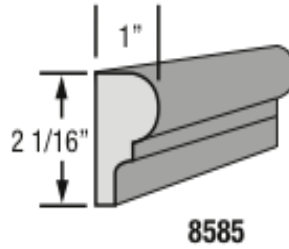
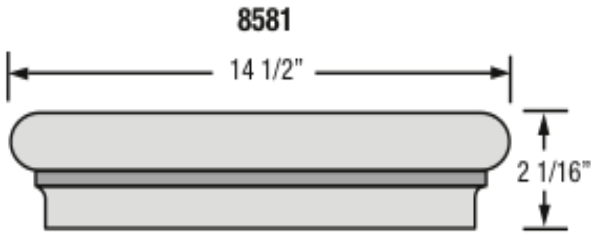
**Landing Tread Kits 3/4" - Unfinished**

Item #	Description	Red Oak	Maple	Brazilian Cherry	White Oak	American Cherry	Walnut	Hickory
Landing - 48	16 sq ft	248.31	325.31	484.45	405.98	441.28	502.76	272.07
Landing - 60	25 sq ft	341.89	485.01	723.27	554.69	678.81	757.10	404.60


**Landing Tread Kits 3/4" - Prefinished**

Item #	Description	Red Oak	Maple	Brazilian Cherry	White Oak	American Cherry	Walnut	Hickory
Landing - 48	16 sq ft	345.24	462.63	627.72	555.27	582.42	652.77	405.58
Landing - 60	25 sq ft	521.14	595.71	938.53	828.58	890.25	982.30	605.22

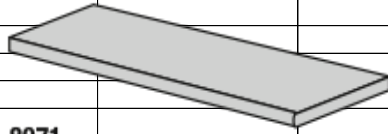
**\$150.00 set up fee for special colors eta 8 -12 weeks**



Bostik Best  
 10.1 oz.  
 Urethane  
 Adhesive only

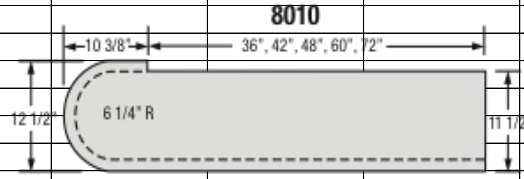
<b>Accessories</b>		 COMPLETE STAIRCASE SOLUTIONS by IDEAL STAIR PARTS							
<b>Installation Items</b>									
<b>Item #</b>	<b>Each</b>								
NuSTAIR Scribe		139.76							
Bostik Best 10.1 oz									
<b>Accessories - Unfinished</b>									
<b>Item #</b>	<b>Description</b>	<b>Red Oak</b>	<b>Maple</b>	<b>Brazilian Cherry</b>	<b>Wht.Oak</b>	<b>Am Cherry</b>	<b>Walnut</b>	<b>Hickory</b>	<b>Primed</b>
8581	Return End	7.55	15.06	24.25	14.49	11.44	17.82	9.13	
8585	Mold & Scotia (4LF)	18.51	40.82	68.60	40.17	31.39	51.12	28.86	
8591	48" LAND TREAD 5-1/2"	38.08	112.90	188.80	89.40	75.48	162.61	55.17	
8028	Bracket	9.50	12.99	14.41	17.63	15.13	16.84	48.79	5.11
8591-12'	12" LANDING TREAD 5-1/2"	152.32							
<b>Accessories - Prefinished</b>									
<b>Item #</b>	<b>Description</b>	<b>Red Oak</b>	<b>Maple</b>	<b>Brazilian Cherry</b>	<b>White Oak</b>	<b>American Cherry</b>	<b>Walnut</b>	<b>Hickory</b>	<b>Primed</b>
8581	Return End	16.54	26.25	36.38	23.37	21.06	27.84	15.16	
8585	Mold & Scotia (4LF)	27.51	53.36	77.17	50.84	42.46	63.50	35.18	
8591	5 1/2" Landing Tread (4LF)	62.97	146.34	211.82	123.01	102.26	194.62	82.08	
8028	Bracket	13.55	22.06	22.13	26.75	22.90	24.71	20.10	5.11

**Starting Steps**

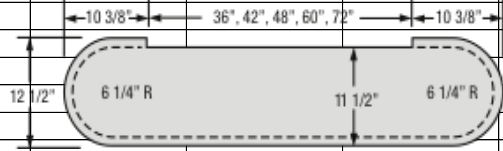


**8071**

1 1/16" x 11 1/2" x 36" / 42" / 48" / 60" / 72"



**8015**



**Starting Steps - Unfinished**

Item #	Description	Red Oak	Maple	Brazilian Cherry	White Oak	American Cherry	Walnut	Hickory
8010-48	Single Bullnose – 48"	441.80	543.68	609.68	661.22	501.97	667.53	406.31
8010-60	Single Bullnose – 60"	486.07	568.93	664.41	706.94	553.53	718.62	455.49
8015-48	Double Bullnose – 48"	531.36	607.41	639.66	706.90	621.46	728.22	491.75
8015-60	Double Bullnose – 60"	562.56	671.53	769.62	699.73	795.17	780.52	539.76

**Starting Step - Prefinished**

Item #	Description	Red Oak	Maple	Brazilian Cherry	White Oak	American Cherry	Walnut	Hickory
8010-48	Single Bullnose – 48"	535.82	607.61	845.50	861.14	641.00	930.24	531.51
8010-60	Single Bullnose – 60"	591.51	708.51	914.06	874.76	740.71	649.30	623.81
8015-48	Double Bullnose – 48"	607.93	774.03	966.30	935.15	815.92	1023.27	681.27
8015-60	Double Bullnose – 60"	637.07	857.38	1217.60	1126.77	1050.86	1066.72	755.68

**Solid Treads - Prefinished**

Item #	Description	Red Oak	Maple	Brazilian Cherry	White Oak	American Cherry	Walnut	Hickory
8071-36	11 1/2 x 36							
8071-42	11 1/2 x 42							
8071-48	11 1/2 x 48							
8071-60	11 1/2 x 60							
8071-72	11 1/2 x 72							

**add returns to # 8071 prefinished treads add \$ 25.00 each side eta 3 - 4 weeks**

\$150.00 set up fee for specila colors eta 8 - 12 weeks

eta 8 - 12 weeks

**8010 & 8015 .... \$40.00 Additional Charge**

**Prefinished Stair Parts**  
***Available on our entire line of stair parts***

**Stock Red Oak Finish:**

*-Butterscotch, Gunstock, Natural, Java, Golden, Cherry and Saddle*

**Stock Brazilian Cherry Finish:**

*-Natural*

**Stock White Oak Finish:**

*-Natural, Saddle and Fawn*

**Stock Hickory, Walnut, American Cherry, Hard Maple Finish:**

*-Natural*

**Prefinished Stair Parts**

*-Add to Net Amount of product price*

Balusters	1 ¼" – 1 ea.
	1 ¾" – 1 ea.
Newels	3" – 1 ea.
	3 ½" – 1 ea.
	Box Newels – 1 ea.
Handrail	6010 – 1 lf
	6210 – 6510 – 6710 – 1 lf
Fittings	ea.
Rosettes	ea.